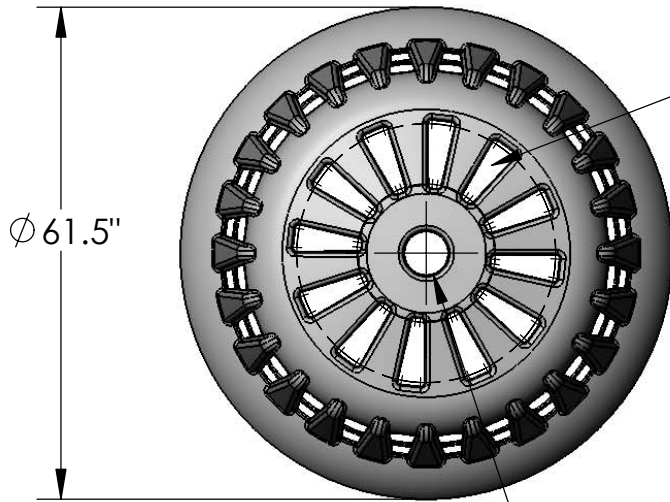


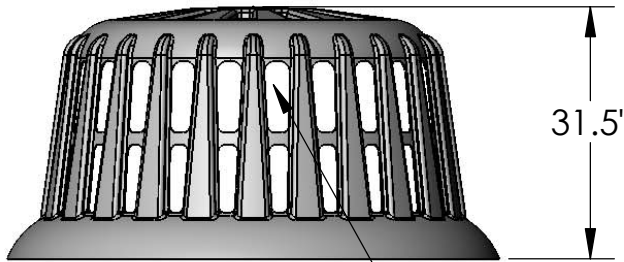
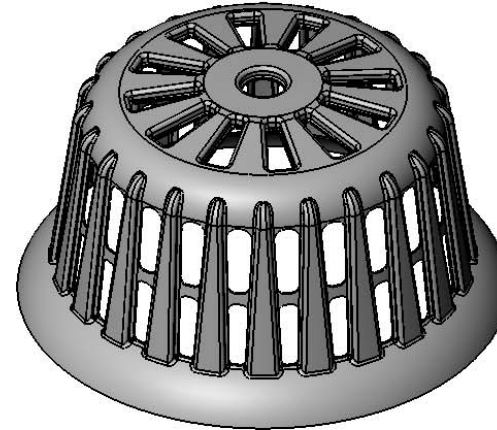
REVISIONS			
REV.	DATE	APPROVED	DESCRIPTION



Ø 61.5"

TWELVE DRAINAGE SLOTS IN TOP

Ø 5.5" DRAINAGE HOLE



31.5"

FORTY EIGHT DRAINAGE SLOTS AROUND PERIMETER



TITLE:
SILT-SAVER ROUND FRAME
P/N SS-100

UNLESS OTHERWISE SPECIFIED: DIMENSIONS ARE IN INCHES	MATERIAL HMWPE	Silt-Saver® Inc. 1094 Culpepper Drive Conyers, GA 30094 USA Telephone: (770) 388-7818 Toll Free: (888) 382-SILT (7458)	NAME	DATE	SIZE A	DWG. NO. FX-2593	REV
	FINISH BLACK		DRAWN TWS	01/22/07			
			ENG APPR.		DO NOT SCALE DRAWING		SHEET 1 OF 1

5

↑

4

3

2

1